

The U3 loudspeaker

- preliminary -



The cabinet houses two 5" neodymium LF drivers in a bass-reflex design and one 0.75" HF driver with a 1.4" coil, mounted on a rotatable CD horn thus providing rotatable dispersion characteristics without the need for any tools.

The two LF drivers are positioned in a bipolar arrangement providing vertical dispersion control even at lower frequencies.

Specially designed ports with optimized flow characteristics provide efficient low frequency reproduction.

The frequency response extends from 61 Hz to 18 kHz.

The cabinet is a two-way design with a built-in passive crossover network and can be used as stand-alone system or supplemented by applicable d&b subwoofers such as the B10-SUB.

The cabinet enclosure is injection molded with an impact resistant paint finish and made of highly durable partially recycled ABS. The front panel of the cabinet incorporates a rigid metal grill backed by an acoustically transparent and water repellent fabric.

The rear panel incorporates a handle at the top while two M8 threaded inserts at a spacing of 120 mm (4.7") to allow the attachment of various mounting accessories.

d&b amplifiers

The d&b audiotechnik loudspeaker range is designed exclusively for operation with d&b amplifiers. These provide power as well as comprehensive control and protection functions tailored to achieve the performance, reliability and longevity associated with the d&b system approach.

System data

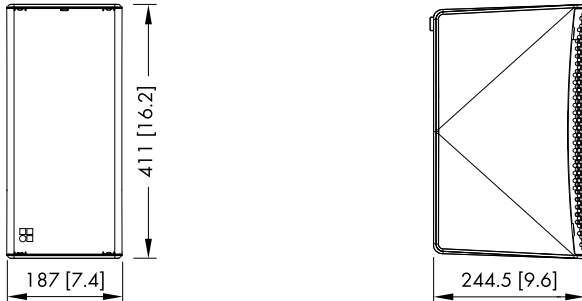
| | |
|--|-----------------|
| Frequency response (-5 dB standard) | 61 Hz - 18 kHz |
| Frequency response (-5 dB CUT mode) | 105 Hz - 18 kHz |
| Frequency response (-10 dB standard, IEC60268) | 52 Hz - 19 kHz |
| Frequency response (-10 dB CUT mode, IEC60268) | 80 Hz - 19 kHz |
| Extended full-range mode (-5 dB @ CPL: +3 dB) | 55 Hz - 18 kHz |
| Max. SPL (peak, 1 m, free field, pink noise with crest factor 4) | |
| with D90/D80/D40/D25/D20/5D/25D/30D/40D | 128 dB |
| with 10D | 126 dB |

Loudspeaker data

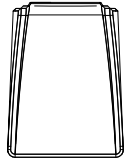
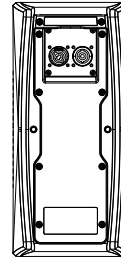
| | |
|--|---|
| Nominal impedance | 12 ohms |
| Power handling capacity (RMS/peak 10 ms) | 150/500 W |
| Nominal dispersion angle (hor. x vert.) | 100° x 65° |
| Components | 2 x 5" driver with neodymium magnet |
| | 1 x 0.75" exit HF compression driver with 1.4" coil |
| | Rotatable CD horn |
| | Passive crossover network |
| Connections | NL4 M and 2-pin Euroblock in parallel |
| | Additional connector option: NLT4 F/M |
| Pin assignment | 1+/1- |
| Weight | 7.1 kg (15.7 lb) |

The U3 loudspeaker

- preliminary -



U3 cabinet dimensions in mm [inch]



Architectural specifications

The 2-way bipolar, passive loudspeaker shall consist of two 5" low frequency drivers with a neodymium magnet assembly and one 0.75" exit neodymium compression driver with a 1.4" coil mounted to a rotatable CD horn and a passive crossover network.

The HF horn shall have a nominal dispersion of $100^\circ \times 65^\circ$ (h x v).

The loudspeaker shall only be operated by a dedicated, compatible controller amplifier.

The cabinet shall be injection molded and made of highly durable partially recycled ABS.

The drivers shall be protected by a rigid metal grill backed by an acoustically transparent foam.

The rear panel of the cabinet shall incorporate a handle on the top.

The cabinet shall incorporate two M8 threaded inserts on the rear for the secure attachment of dedicated mounting accessories.

The connection panel on the back shall be recessed and fitted an NL4 M connector socket using the pin assignment 1+/1- and an additional 2-pin Euroblock connector wired in parallel.

An NLT4 F/M connector panel option shall be available upon request.

The power handling capacity shall be 150 W RMS and 500 W peak (10 ms). The frequency response (-5 dB) measured on axis shall be 61 Hz to 18 kHz with a maximum sound pressure of at least 128 dB.

The dimensions (W x H x D) shall not exceed 187 x 411 x 244 mm (7.4" x 16.2" x 9.6") and shall weigh no more than 7.1 kg (15.7 lb).

The loudspeaker shall be the U3 by:
d&b audiotechnik GmbH & Co. KG.