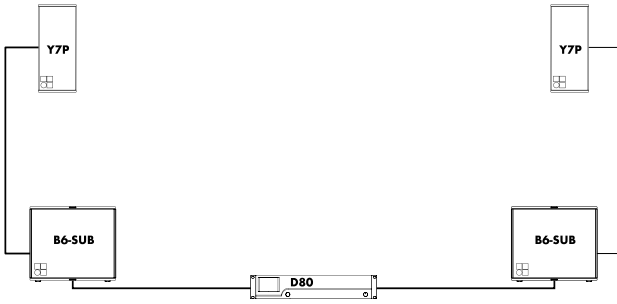
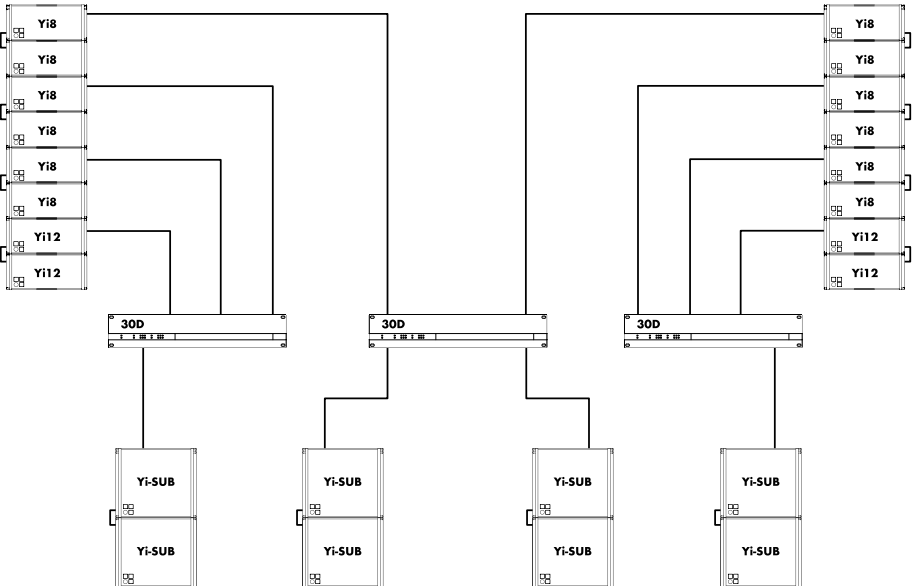


# The Y-Series configuration examples

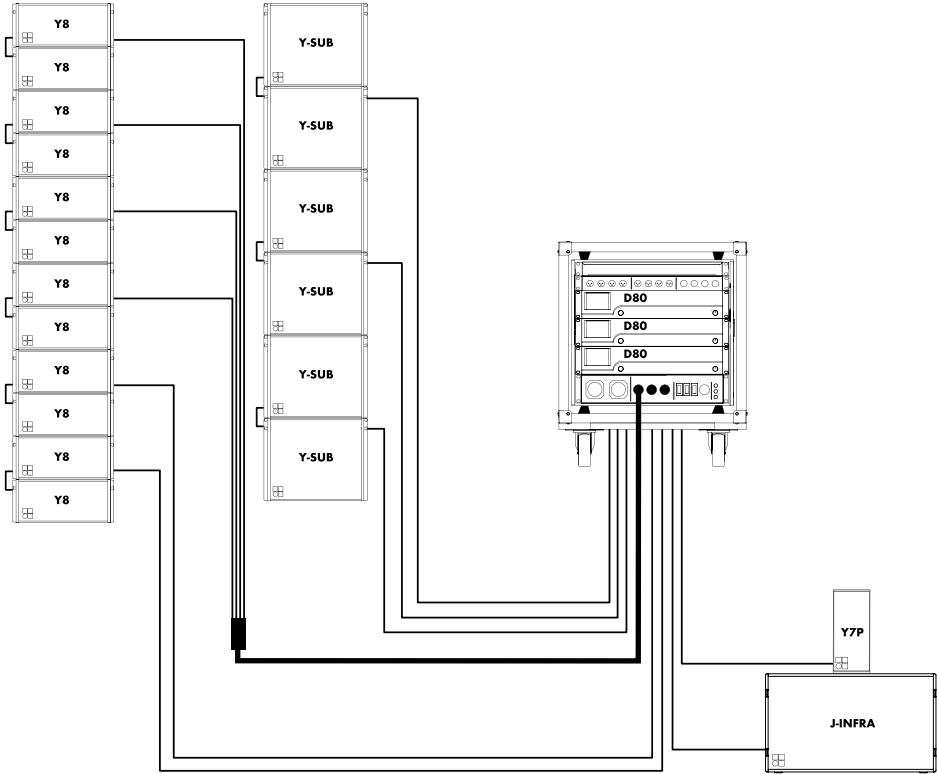


Y-Series L/R configuration comprising Y7P and B6-SUB with a D80 amplifier in Mix TOP/SUB mode<sup>1</sup>

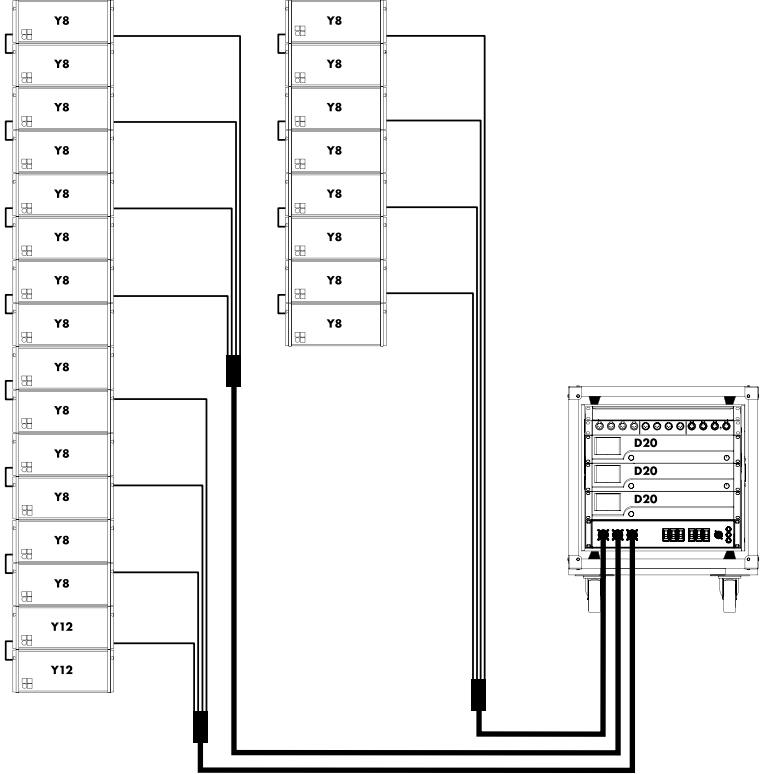


Yi line array in L/R configuration with flown Y18/Y112s and ground stacked Yi-SUBs with 30D amplifiers in Dual Channel mode<sup>1</sup>

# The Y-Series configuration examples



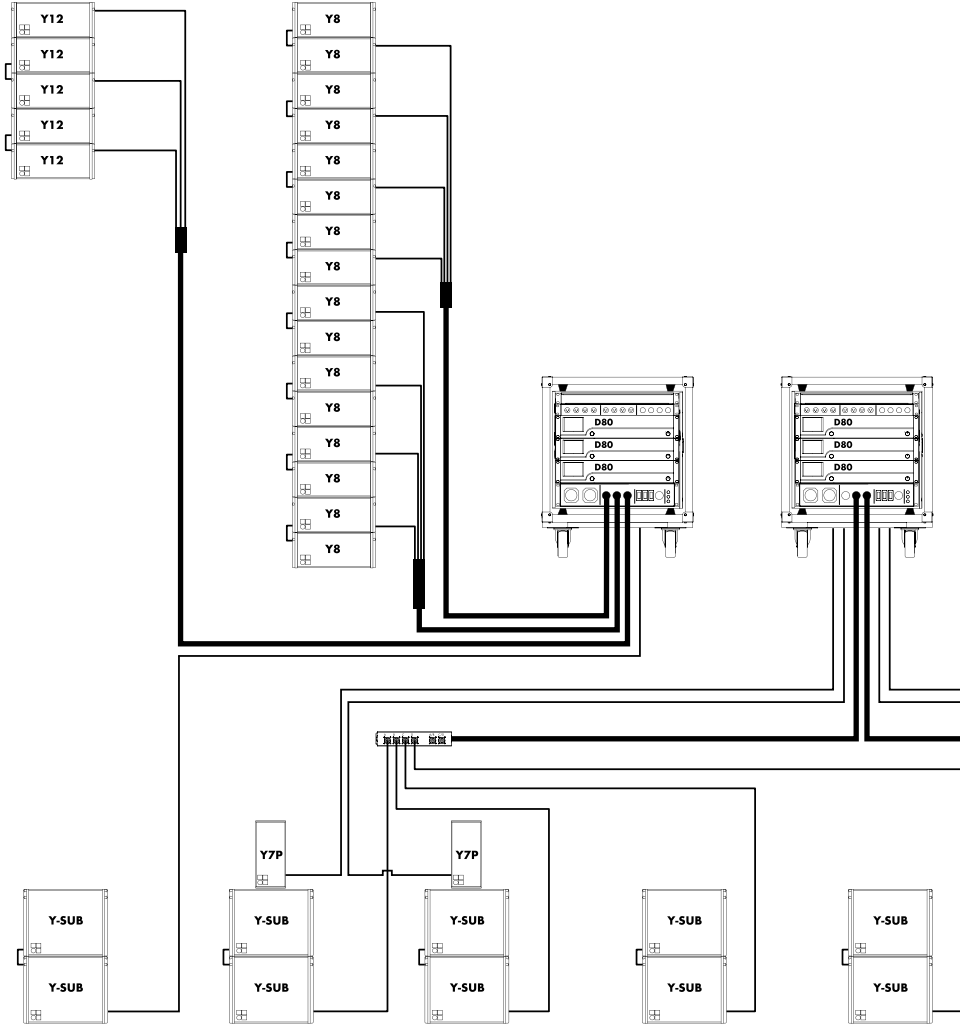
Y-Series configuration comprising Y8 and Y-SUB flown array with ground stacked J-INFRA and Y7P as nearfill with D80 Touring rack<sup>1</sup>



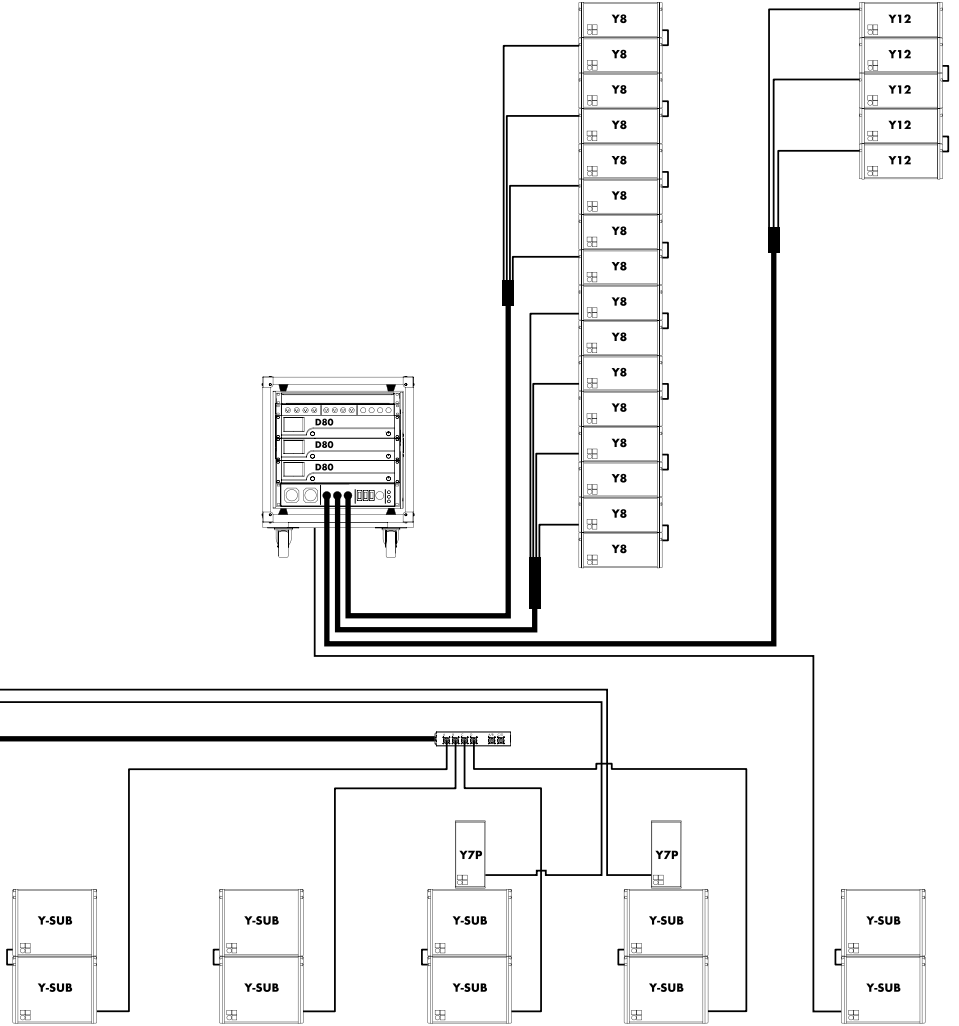
Y-Series configuration comprising Y8/Y12 mains and Y8 outfill arrays with D20 Touring rack<sup>1</sup>

<sup>1</sup> These configurations are also valid for Yi loudspeakers

# The Y-Series configuration examples



Y-Series configuration comprising Y8 mains and Y12 outfill arrays along with ground stacked Y-SUBs and Y7P as nearfills with D80 Touring racks<sup>1</sup>



<sup>1</sup> These configurations are also valid for Yi loudspeakers