



Specifications

Type	2 Way In-wall Speaker
Power Capacity	100 Watt
Sensitivity (1W@1M)	88 dB
Frequency Response	60Hz - 20kHz
Dimension (H x W x D)	358mm x 255mm x 82mm 14.09" x 10.04" x 3.23"
LH Component	8"(203mm) Kevlar Cone Speaker
HF Component	1"(25.4mm) Titanium Diaphragm
Baffle Cutout Dimension	322.5mm(12.70") x 220mm(8.66")
Net Weight	2.25 kg (4.95 lbs)
Shipping Weight (2 pcs)	5.10 kg (11.22 lbs)

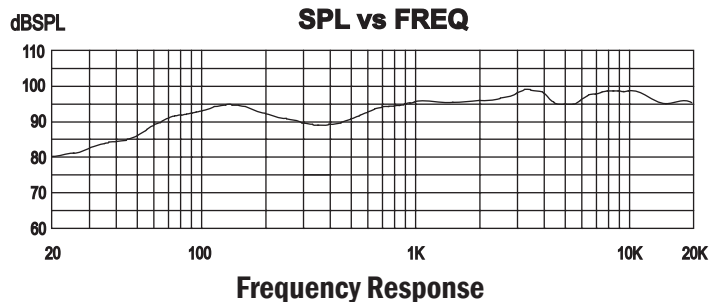
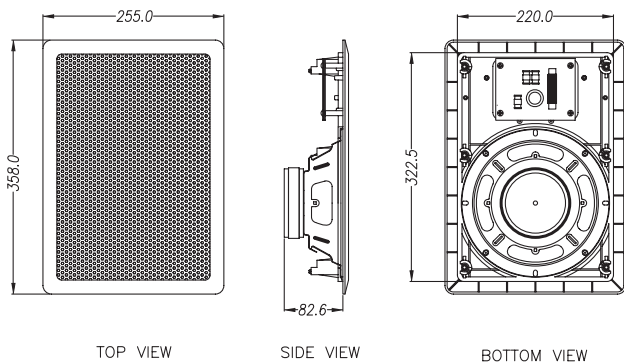
Applications

WS-8TF

The P Audio WS-8TF is a high fidelity in-wall (in-ceiling) loudspeaker system designed for applications where wide bandwidth and low frequency output is specified. The WS-8TF is basically a full range "hi-fi" system designed for permanent installation in a flush mount acoustic environment.

The WS-8TF is a two way design that features an 8 inch (203mm) diameter low frequency transducer and a 1 inch (25.4mm) diameter commercially pure titanium super tweeter. The crossover network has been computer optimized for the acoustic loading found in flush mount environments. The low frequency response is provided by a woven Kevlar cone that provides excellent mechanical damping to improve mid band fidelity and vocal clarity.

The WS-8TF is optimized for both commercial and high performance in home designs. The grill and bezel may be painted to match any design or décor. The rugged metal grill is also ideal for industrial and retail locations.



19/4 Moo 2 T.Bangkratuk A. Samparn Nakornpathom 73210 Thailand
 Tel: +66-2-441-6600 Auto 30 Lines
 e-mail: info@paudiothailand.com
 Web site: www.paudiothailand.com
 All rights reserved by P.Audio System Co., Ltd. 2007

