



Specifications

Type	Coaxial Ceiling Speaker with Transformer
Power Capacity	30 Watt
Sensitivity (1W@1M)	91 dB
Frequency Response	65Hz - 20kHz
Dimension (W x D)	Ø 227mm(8.94") x 89mm(3.50")
LH Component	6" (152mm) Cone Speaker
HF Component	1" (25.4mm) PEI Diaphragm
Transformer Input Rated	2.5 W , 5W , 10W
Baffle Cutout Dimension	Ø 196mm (7.72")
Net Weight	1.37 kg (3.01 lbs)
Shipping Weight (2 pcs)	3.25 kg (7.15 lbs)

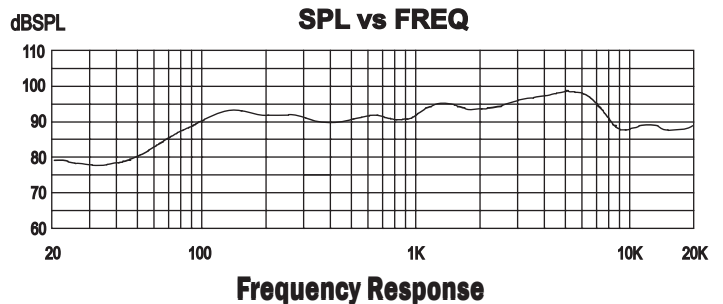
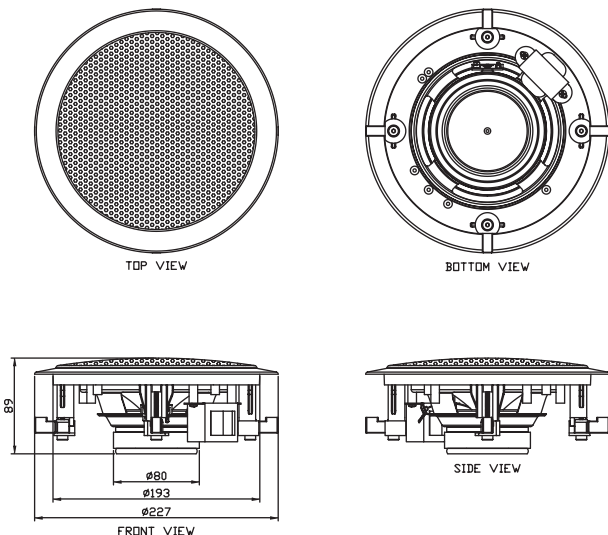
Applications

CS-6CFT

The CS-6CFT is a coaxial high performance ceiling loudspeaker system. The design features an overall outside diameter of 8.97 inches (227mm) and utilizes a nominal 6 inch (152mm) low frequency woofer. The coaxially mounted high frequency transducer insures clean upper range vocal performance and extended high frequency response. The CS-6CFT features a 30 watt program power rating, making the system ideal for standard ceiling heights.

The CS-6CFT has a rated frequency response of 65Hz to beyond 20kHz, making the product an ideal choice for high performance, high fidelity background music systems and general paging systems. The unit is equipped with a wide bandwidth line matching transformer for large scale distributed installations. The power taps are 10 watts, 5 watts, and 2.5 watts. The CS-6CFT exhibits wide bandwidth and has a rated frequency response of 65Hz to 20kHz.

The CS-6CFT has an integral mounting system that will accommodate a wide variety of ceiling materials and dimensions.



19/4 Moo 2 T.Bangkratuk A. Samparn Nakornpathom 73210 Thailand
 Tel: +66-2-441-6600 Auto 30 Lines
 e-mail: info@paudiothailand.com
 Web site: www.paudiothailand.com
 All rights reserved by P.Audio System Co., Ltd. 2007

